



**COMPLETE COMMERCIAL  
CATERING EQUIPMENT**

ABN 63 052 427 719



# Gas Grill, Combination Gas Grill & Griller

**AVAILABLE AS COMBINATION GRILL/TOASTER OR GRILL ONLY**



PGTC-36

Available with either:

- Cast iron plate.
- Mild steel plate.



PGTM-24

*Ring now to discuss your requirements.*

**Phone (03) 9334 5999**

**Fax (03) 9334 5622**

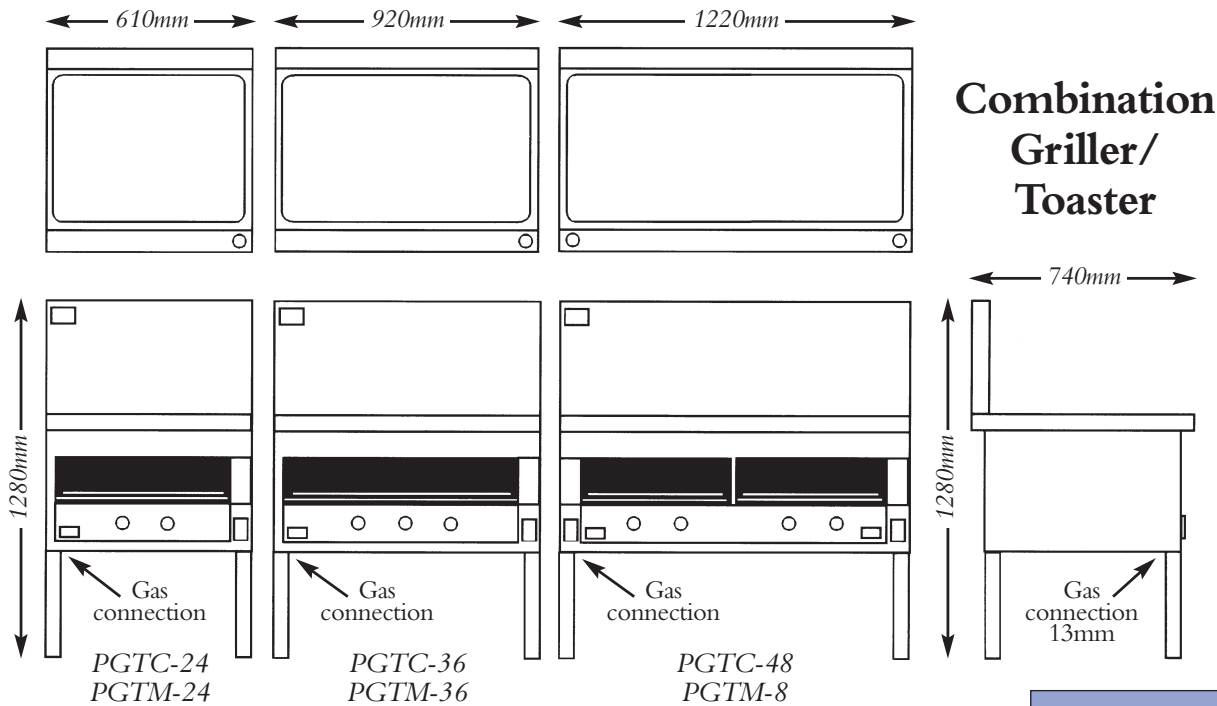
We produce a large range of custom-made equipment for the catering industry.

- Wok Tables
- Oven Ranges
- Combination Griller Toaster
- Fryers
- Gas Rice Cookers

GAS GRILL, COMBINATION GAS GRILL & GRILL

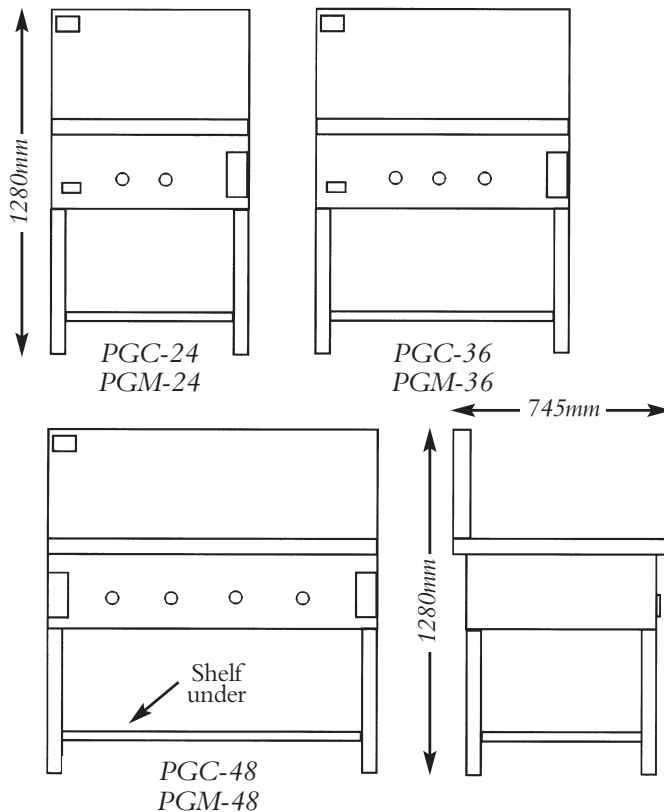
# Gas Grill, Combination Gas Grill & Toaster

AVAILABLE AS COMBINATION GRILL/TOASTER OR GRILL ONLY



## Griddle Plate only

Combination Griller/Toaster	
Model	MJ Rating
<b>Cast Iron</b>	
PGTC-24	30
PGTC-36	45
PGTC-48	60
<b>Mild Steel</b>	
PGTM-24	30
PGTM-36	45
PGTM-48	60
Griddle Plate only	
Model	MJ Rating
<b>Cast Iron</b>	
PGC-24	30
PGC-36	45
PGC-48	60
<b>Mild Steel</b>	
PGM-12	30
PGM-24	30
PGM-30	30
PGM-36	45
PGM-48	60



## Specifications

- Flame failure controls to burners.
- Large grease bin.
- One piece moulded cast iron plate machine ground.



CCCE retains the right to change without notice

DISTRIBUTED BY:



## COMPLETE COMMERCIAL CATERING EQUIPMENT

ABN 63 052 427 719

37 Lillie Crescent, Tullamarine Victoria 3043, Australia

Phone: (03) 9334 5999 Fax: (03) 9334 5622