



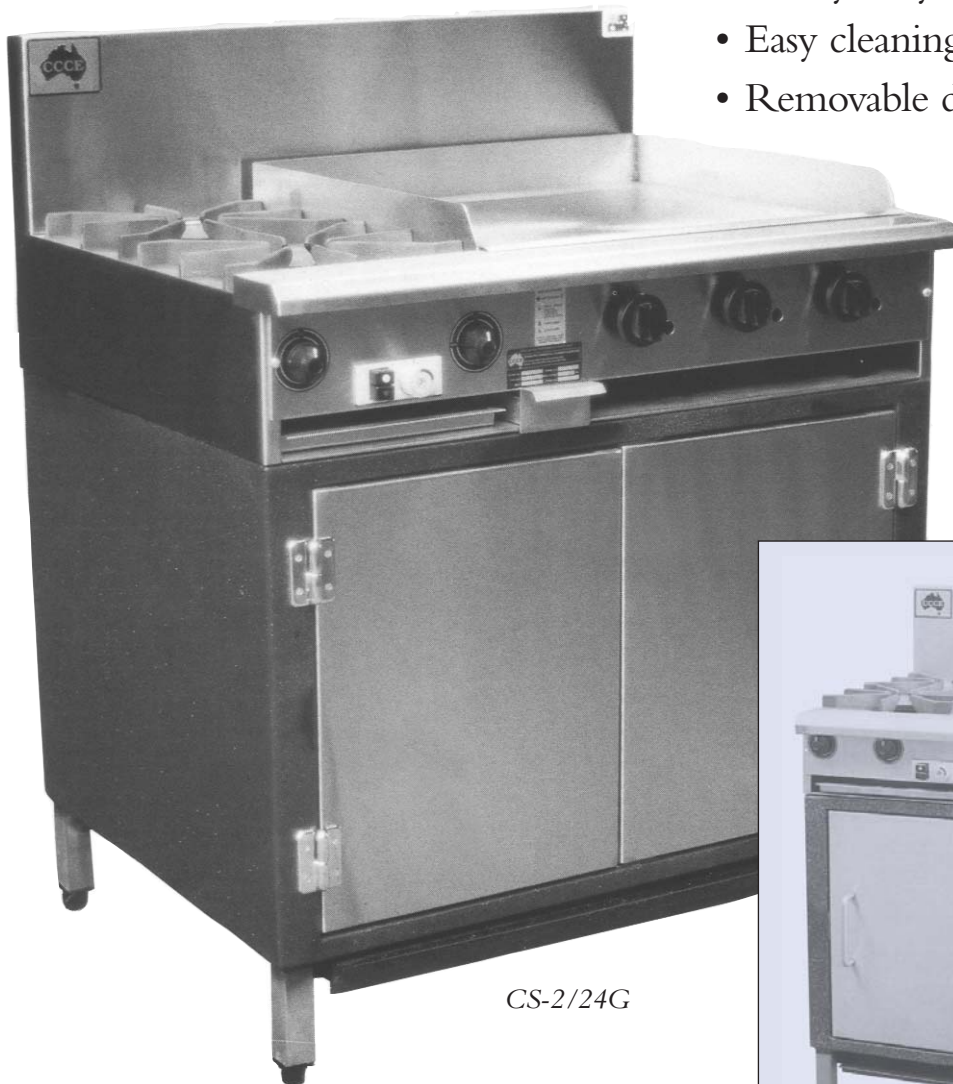
**COMPLETE COMMERCIAL
CATERING EQUIPMENT**

ABN 95 703 577 570



Oven Ranges

CS SERIES "CHA SIEW"



CS-2/24G

- Heavy duty construction.
- Easy cleaning oven.
- Removable doors.



CS-4

Ring now to discuss your requirements.

Phone (03) 9334 5999

Fax (03) 9334 5622

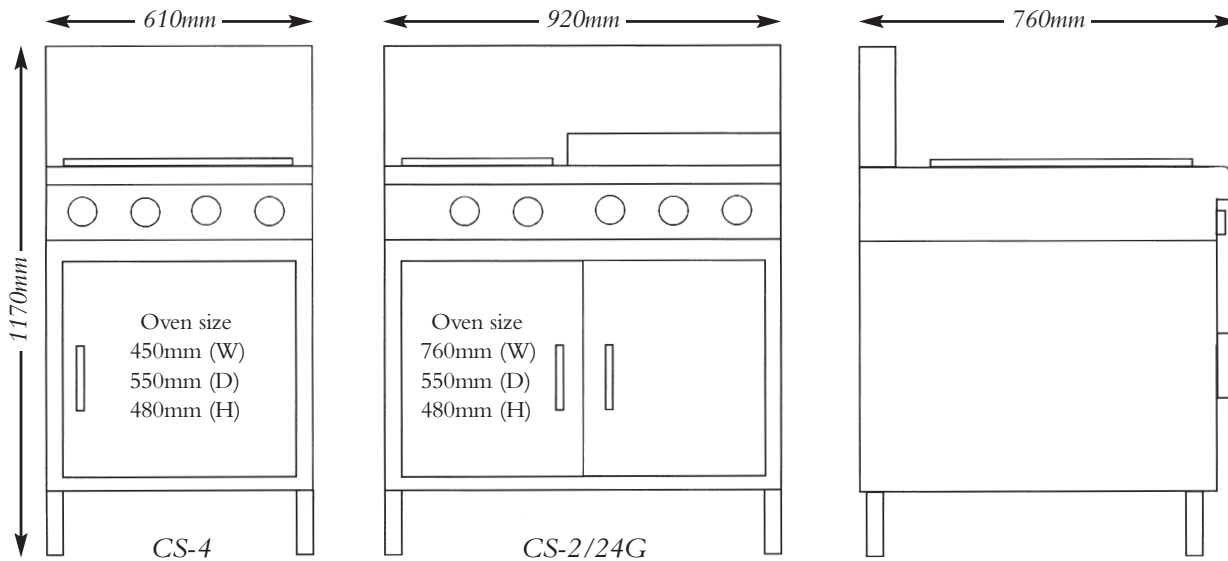
We produce a large range of custom-made equipment for the catering industry.

- Wok Tables
- Oven Ranges
- Combination Griller Toaster
- Fryers
- Gas Rice Cookers

OVEN RANGES

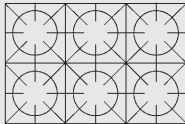
Oven Ranges

CS SERIES "CHA SIEW"



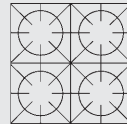
Model & MJ Rating

CS-6
MJ = 140



Model & MJ Rating

CS-4
MJ = 100



CS-2/24G
MJ = 90



CS-2/12G
MJ = 75



CS-4/12G
MJ = 115



CS-24G
MJ = 50



CS-36G
MJ = 65



Specifications

- Heavy duty construction.
- Easy cleaning oven.
- Removable doors.
- Laundry arm optional.



CCCE retains the right to change without notice

DISTRIBUTED BY:



COMPLETE COMMERCIAL CATERING EQUIPMENT

ABN 95 703 577 570

37 Lilee Crescent, Tullamarine Victoria 3043, Australia

Phone: (03) 9334 5999 Fax: (03) 9334 5622