



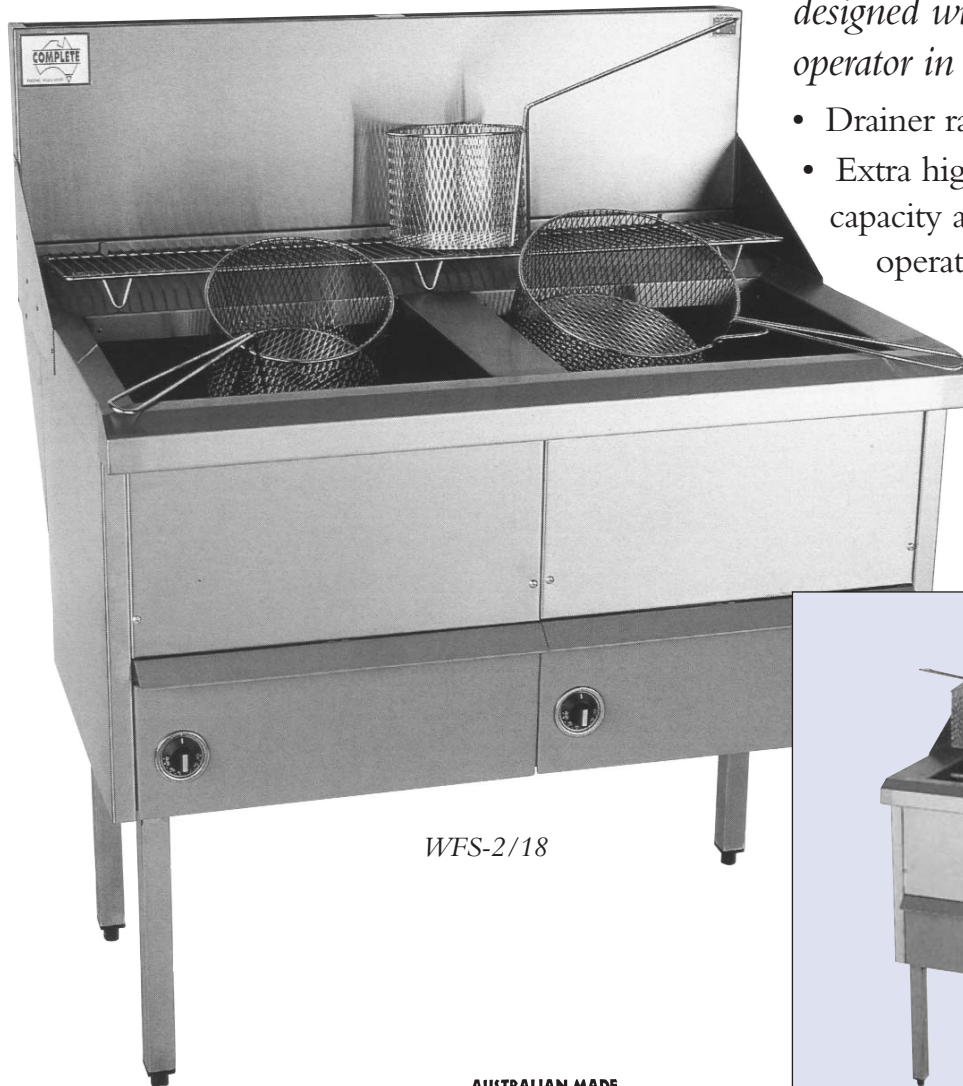
**COMPLETE COMMERCIAL
CATERING EQUIPMENT**

ABN 63 052 427 719



High Capacity Deep Fryer

HIGH VOLUME LARGE FRYER PANS



WFS-2/18

All our fryers have been designed with the the operator in mind.

- Drainer rack at rear.
- Extra high pans and high capacity and high volume operations.
- Gold contact thermostats for quick response.
- Heat exchange pan fitted to all fryers.



WRF-1/18

All models available with hanging baskets



Ring now to discuss your requirements.

Phone (03) 9334 5999

Fax (03) 9334 5622

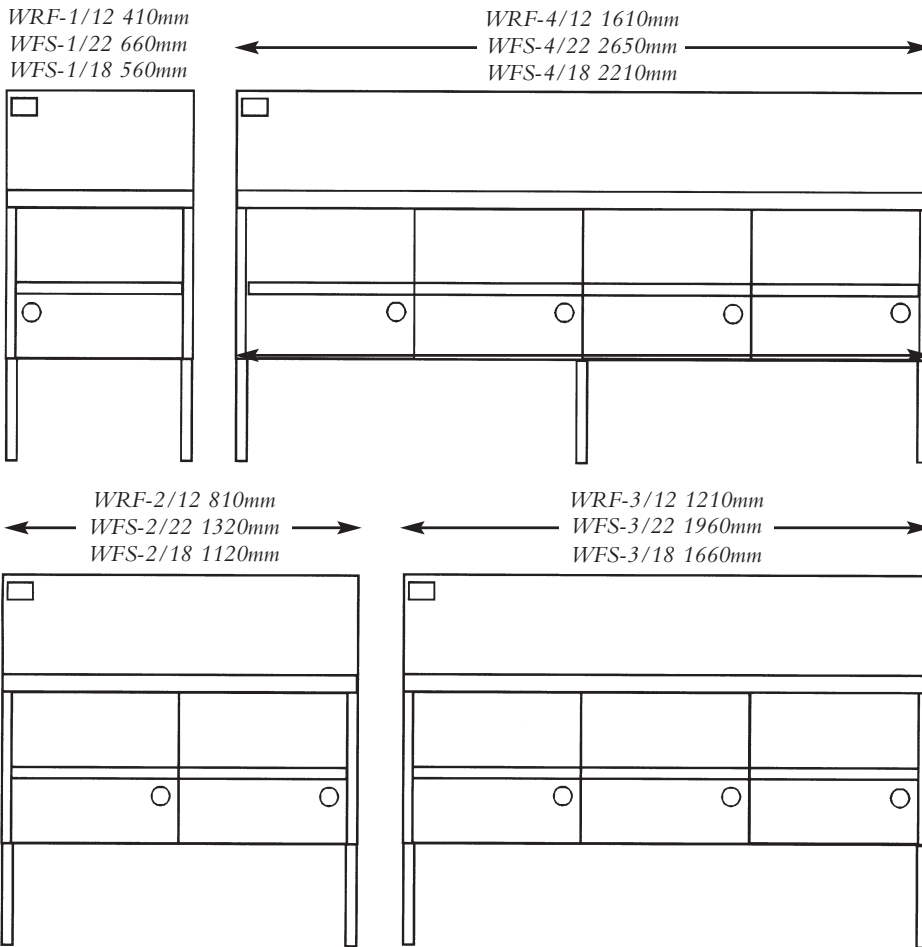
We produce a large range of custom-made equipment for the catering industry.

- Wok Tables
- Oven Ranges
- Combination Grillers Toaster
- Fryers
- Gas Rice Cookers

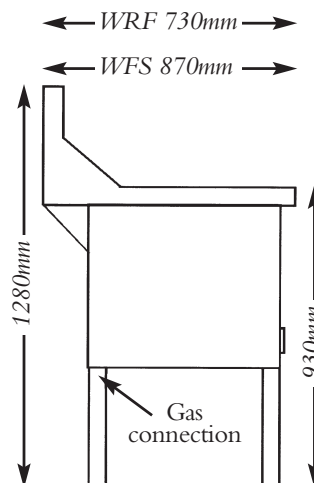
HIGH CAPACITY DEEP FRYER

High Capacity Deep Fryer

HIGH VOLUME LARGE FRYER PANS



Model	No. of Pans	MJ Rating	Pan Size
WFS-1/18	1	90	18" x 18" x 9" (450 x 450 x 228mm)
WFS-2/18	2	180	18" x 18" x 9" (450 x 450 x 228mm)
WFS-3/18	3	270	18" x 18" x 9" (450 x 450 x 228mm)
WFS-4/18	4	360	18" x 18" x 9" (450 x 450 x 228mm)
WFS-1/22	1	120	22" x 18" x 9" (560 x 450 x 228mm)
WFS-2/22	2	240	22" x 18" x 9" (560 x 450 x 228mm)
WFS-3/22	3	360	22" x 18" x 9" (560 x 450 x 228mm)
WFS-4/22	4	480	22" x 18" x 9" (560 x 450 x 228mm)
WRF-1/12	1	60	12" x 18" x 9" (300 x 450 x 228mm)
WRF-2/12	2	120	12" x 18" x 9" (300 x 450 x 228mm)
WRF-3/12	3	180	12" x 18" x 9" (300 x 450 x 228mm)
WRF-4/12	4	240	12" x 18" x 9" (300 x 450 x 228mm)



Specifications

- 2mm thick oil pans.
- Heavy duty frame.
- Quick response thermostat control.
- User friendly drain and servicing hinged panel.
- Stainless steel exterior.
- Insulated flute and surrounds.
- High position drain for ease of draining cooking compound.
- Multi pan manufactured in one piece (No joins for oil leaks).
- Coolzone pans.



CCCE retains the right to change without notice

DISTRIBUTED BY:



COMPLETE COMMERCIAL CATERING EQUIPMENT

ABN 63 052 427 719

37 Lilee Crescent, Tullamarine Victoria 3043, Australia

Phone: (03) 9334 5999 Fax: (03) 9334 5622