



Complete Commercial Catering Equipment

ABN 63 052 427 719



where quality and performance
go hand in hand

HEAVY DUTY GAS GRILL

AVAILABLE AS COMBINATION GRILL / TOASTER OR GRILL ONLY



PGTM - 36

- Heavy duty frame.
- Cast iron burner.
- Pilot & flame failure to all burners.
- Large grease bin.
- Stainless steel exterior.


Available with either

- Cast iron plate.
- Mild steel plate.



PGM - 24

 P.O. Box 230, Tullamarine VIC 3043

 3 Paul Joseph Way, Truganina VIC 3029

 (03) 9334 5999

 ccce@bigpond.net.au

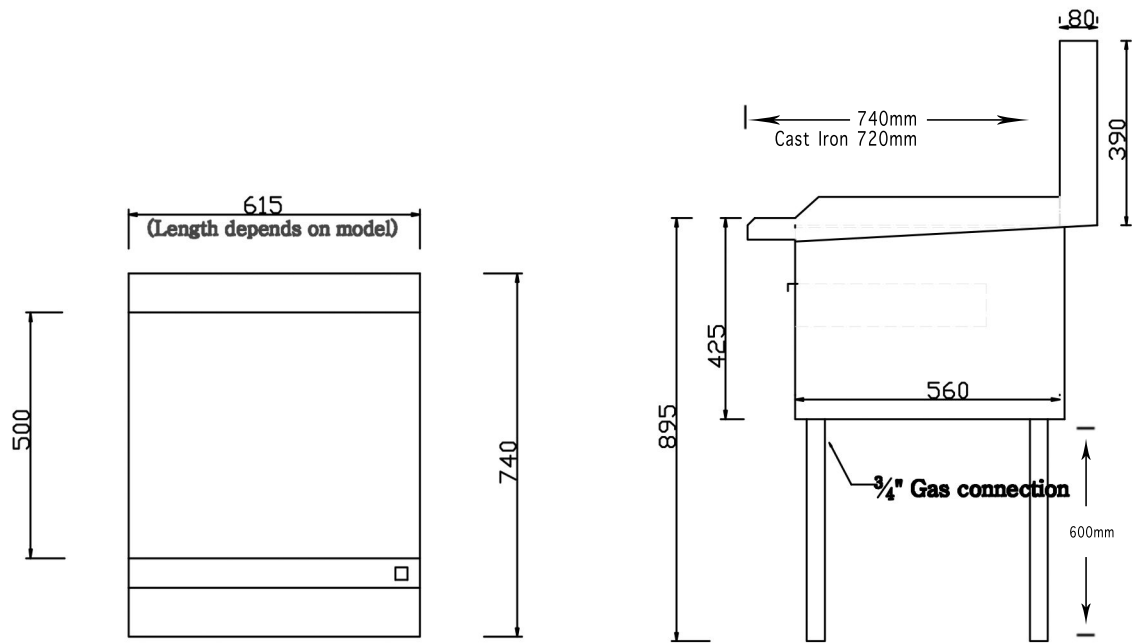
 www.completecommercial.com.au



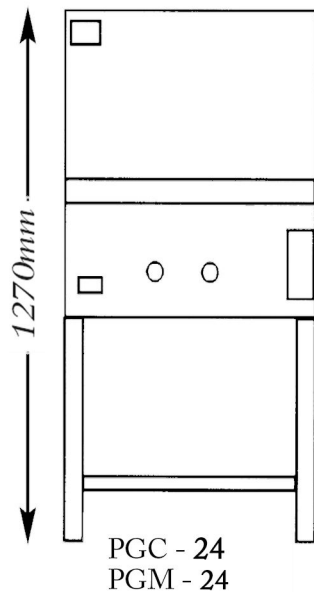
www.completecommercial.com.au

Heavy Duty Gas Grill

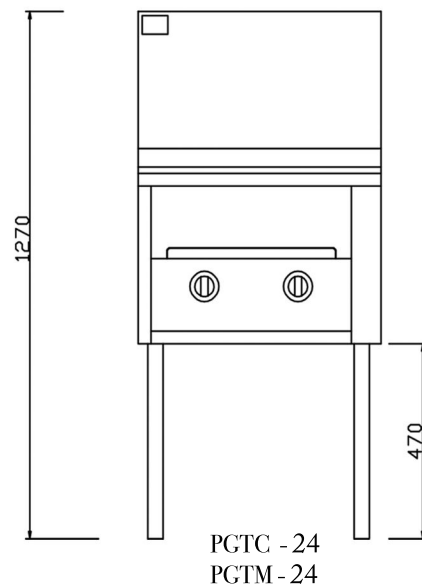
Available As Combination Grill/Toaster or Grill Only



Griddle Plate Only



Griller Toaster



Grill Plate only

Model	Width	MJ/Hr
<i>Mild Steel Plate</i>	<i>Cast Iron Plate</i>	
PGM-12	-	315mm
PGM-24	PGC-24	615mm
PGM-30	-	765mm
PGM-36	PGC-36	915mm
PGM-48	PGC-48	1215mm

Combination Griller Toaster

Model	Width	Mj/Hr
<i>Mild Steel Plate</i>	<i>Cast Iron Plate</i>	
PGTM-24	PGTC-24	615mm
PGTM-36	PGTC-36	915mm
PGTM-48	PGTC-48	1215mm

We also produce a large range of custom-made equipment for the catering industry.

- Wok Tables
- Char Grills
- Oven Ranges
- Fryers
- Boiling Burners
- Stock Pot Unit
- Combination Griller Toaster
- Stainless steel bench & Canopy

Complete Commercial Catering Equipment

