



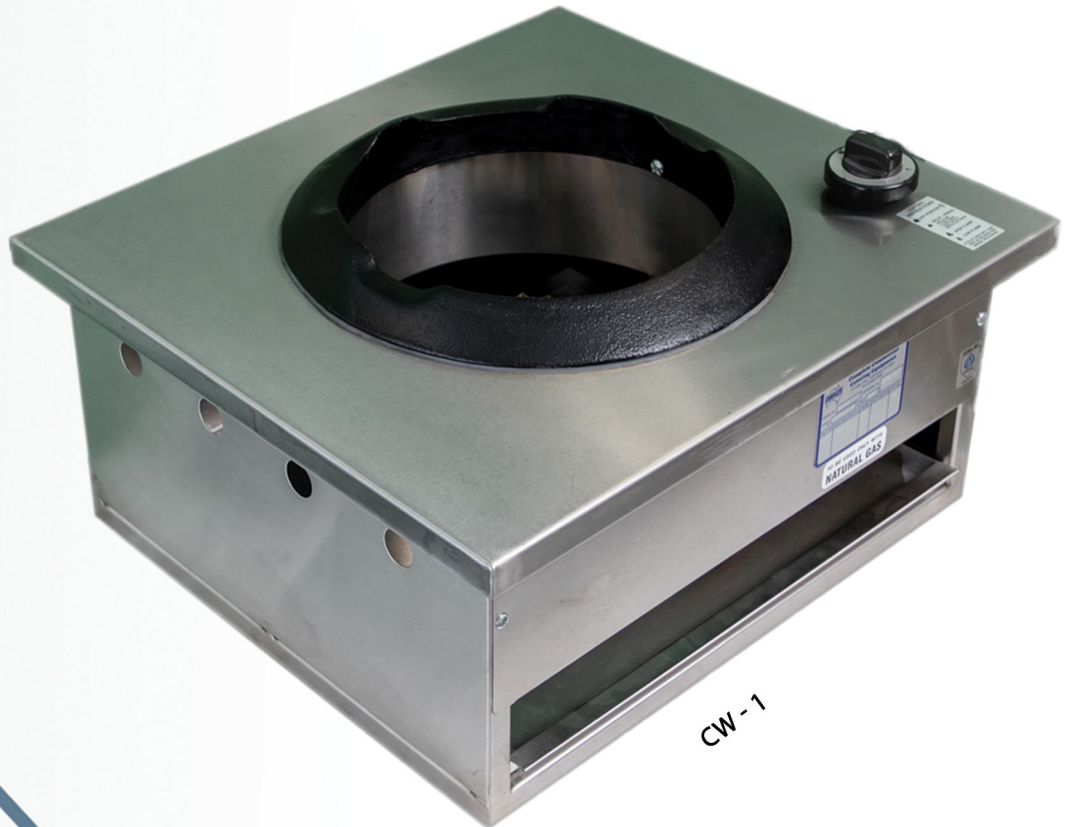
# Complete Commercial Catering Equipment

ABN 63 052 427 719



where quality and performance  
go hand in hand

## DOMESTIC WOK



- Big flame 32Mj/hr mongolian burner.
- Light-weight / Removable.
- Stainless steel body.
- Bench model 590x530x298(h)mm.
- Stand to suit option available.
- Available in Natural Gas or LPG.

 P.O. Box 230, Tullamarine VIC 3043

 3 Paul Joseph Way, Truganina VIC 3029

 (03) 9334 5999

 ccce@bigpond.net.au

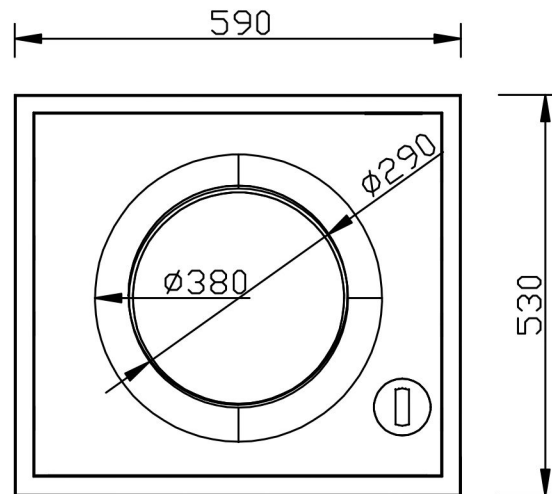
 [www.completecommercial.com.au](http://www.completecommercial.com.au)



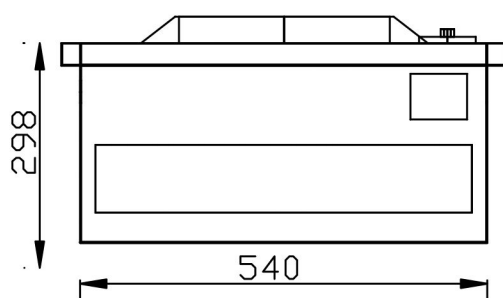
[www.completecommercial.com.au](http://www.completecommercial.com.au)

# COUNTER TOP WOK CW-1

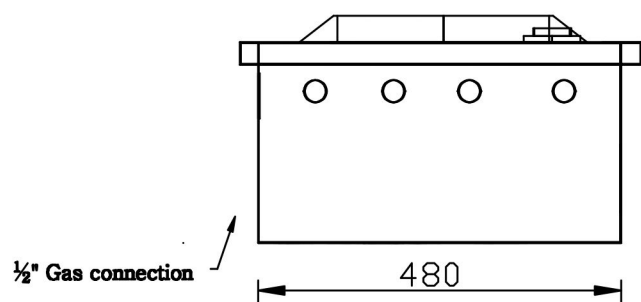
## Top View



## Front View



## Side View



We also produce a large range of custom-made equipment for the catering industry.

- Wok Tables
- Char Grills
- Oven Ranges
- Fryers
- Boiling Burners
- Grill Plate
- Combination Griller Toaster
- Stainless steel bench & Canopy

Complete Commercial  
Catering Equipment



[www.completecommercial.com.au](http://www.completecommercial.com.au)